

| material kadłuba | ciśnienie nominalne | średnica nominalna | max. temperatura |
|-------------------------|---------------------|--------------------|------------------|
| D żeliwo sferoidalne | C 16 bar | DN 40-300 | 70°C |
| | B 10 bar | DN 350-500 | |

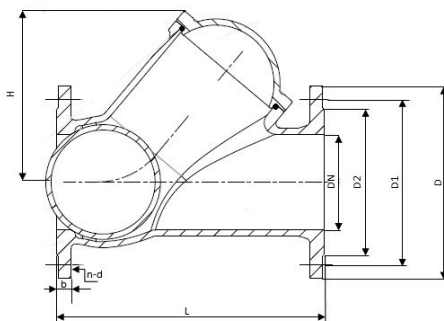
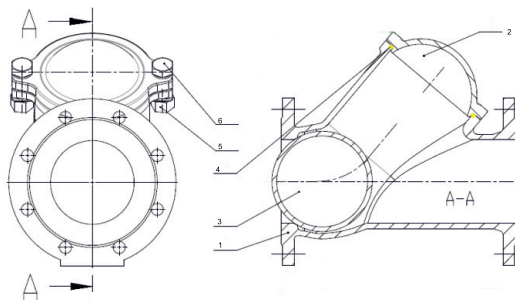
Zastosowanie

Przemysł
Woda przemysłowa
Czynniki neutralne

Cechy konstrukcyjne

- Nieznaczne dławienie
- Pełny przelot
- Samoczyszczący
- Cichy
- Możliwość poziomej i pionowej instalacji

| | materiał kadłuba | D |
|---|------------------|--|
| | wykonanie | 55 |
| 1 | kadłub | EN- GJS- 500-7 5.3106 (ex. JS 1050) |
| 2 | pokrywa | EN- GJS- 500-7 5.3106 (ex. JS 1050) |
| 3 | kula | metal/ NBR |
| 4 | uszczelka | NBR |
| 5 | nakrętka | AISI 304 |
| 6 | śruba | AISI 304 |
| | max. temperatura | 70C |



| DN | L | D | EN1092-2-PN10 | | | EN1092-2-PN16 | | | b | H | KV _s | |
|-----|------|-----|---------------|-----|-------|---------------|-----|-------|------|-----|-----------------|-----|
| | | | D1 | D2 | n-d | D1 | D2 | n-d | | | | |
| mm | | | | | | | | | | | Kg | |
| 40 | 180 | 150 | 110 | 84 | 4-19 | 110 | 84 | 4-19 | 19 | 90 | 70 | 7 |
| 50 | 200 | 165 | 125 | 99 | 4-19 | 125 | 99 | 4-19 | 19 | 100 | 90 | 8,5 |
| 65 | 240 | 185 | 145 | 118 | 4-19 | 145 | 118 | 4-19 | 19 | 125 | 140 | 12 |
| 80 | 260 | 200 | 160 | 132 | 8-19 | 160 | 132 | 8-19 | 19 | 136 | 253 | 15 |
| 100 | 300 | 220 | 180 | 156 | 8-19 | 180 | 156 | 8-19 | 19 | 185 | 369 | 22 |
| 125 | 350 | 250 | 210 | 194 | 8-19 | 210 | 184 | 8-19 | 19 | 196 | 642 | 34 |
| 150 | 400 | 285 | 240 | 211 | 8-23 | 240 | 211 | 8-23 | 19 | 265 | 962 | 45 |
| 200 | 500 | 340 | 295 | 266 | 8-23 | 295 | 266 | 12-23 | 20 | 330 | 1990 | 80 |
| 250 | 600 | 405 | 350 | 319 | 12-23 | 355 | 319 | 12-28 | 22 | 420 | 3100 | 135 |
| 300 | 700 | 460 | 400 | 370 | 12-23 | 410 | 370 | 12-28 | 24,5 | 480 | 4100 | 200 |
| 350 | 800 | 52 | 460 | 429 | 16-23 | - | - | - | 26,6 | 617 | 5050 | 300 |
| 400 | 900 | 580 | 515 | 480 | 16-23 | - | - | - | 28 | 680 | 6500 | 600 |
| 500 | 1150 | 715 | 620 | 582 | 20-28 | - | - | - | 31,5 | | 7800 | 800 |